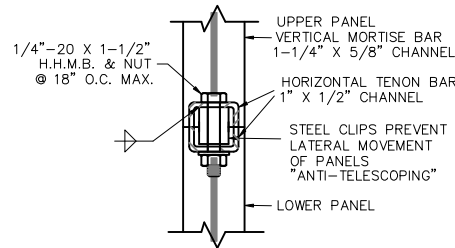
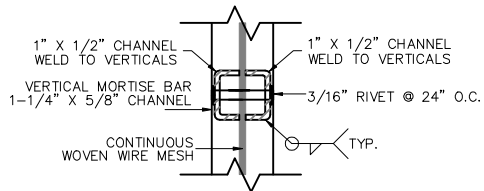


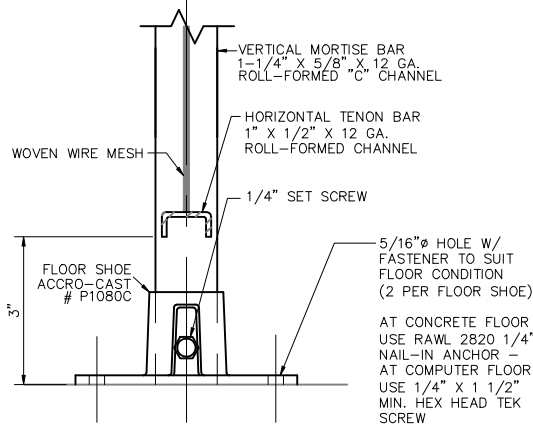
A5 CAP BAR



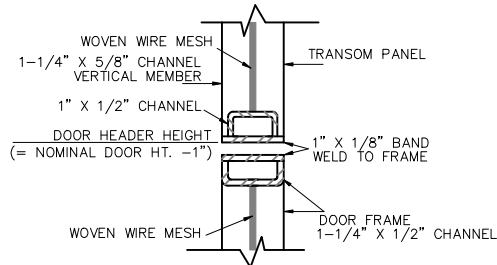
A3 STACKED PANELS



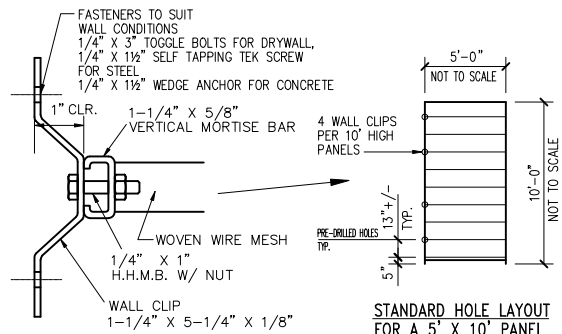
A2 HORIZ. STIFFENER



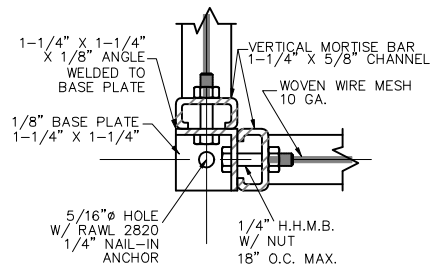
A1 FLOOR CONNECTION



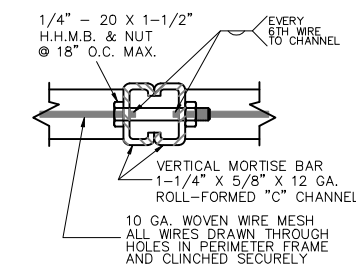
G2 DOOR HEAD @ TRANSOM



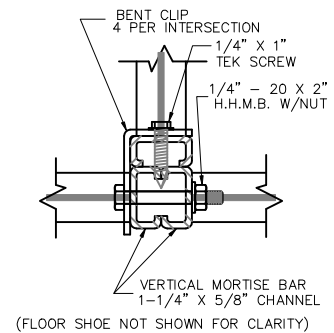
B WALL CONNECTION



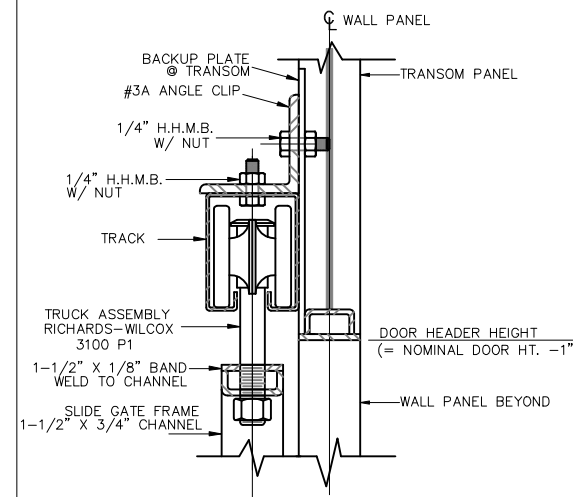
C1 90° CORNER POST



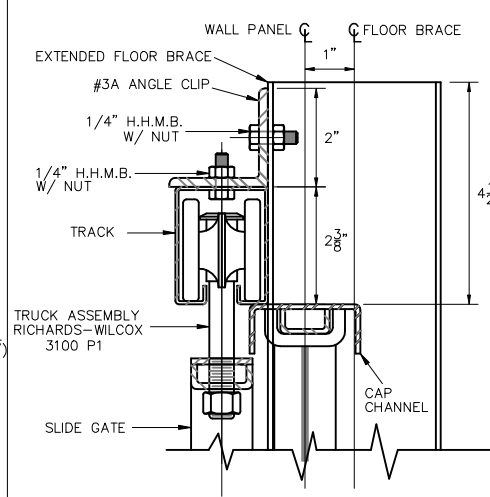
F PANEL-PANEL CONNECTION



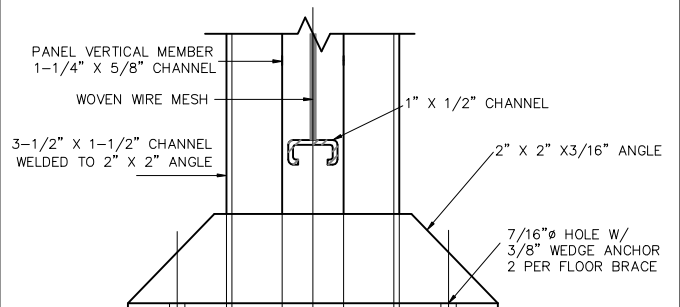
H 3 WAY CONNECTION (TC-3W)



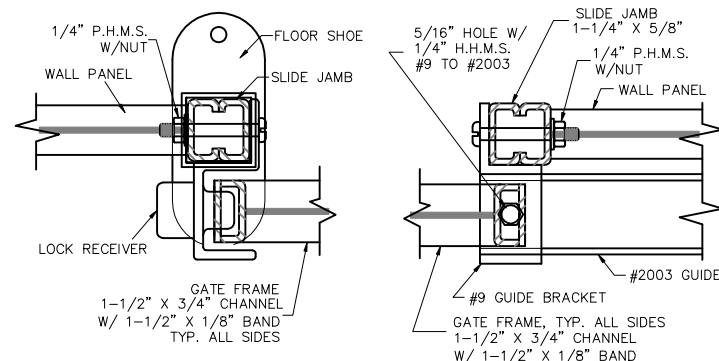
E1 SLIDE GATE HEADER @ TRANSOM



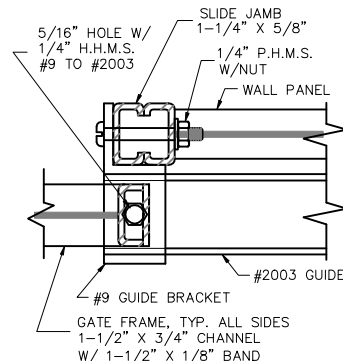
E2 SLIDE GATE HEADER FULL HEIGHT GATE



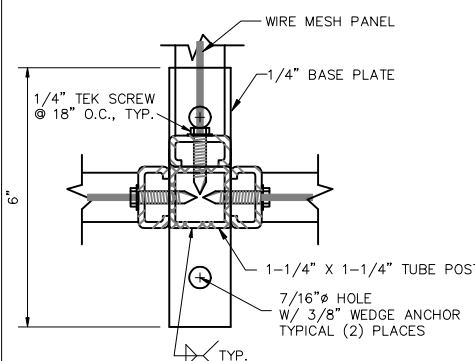
P STANDARD FLOOR BRACE



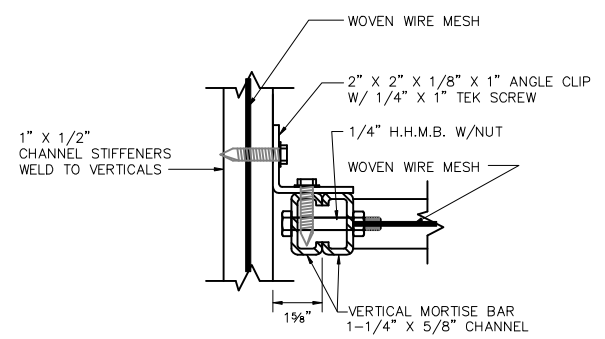
J1 LOCK JAMB



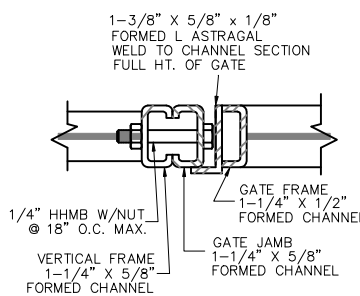
J3 GUIDE JAMB



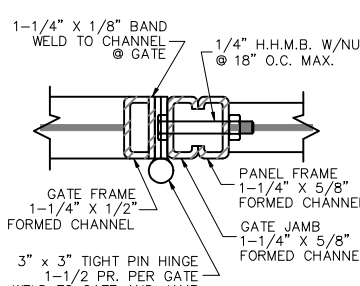
H4A 3-WAY CONNECTION



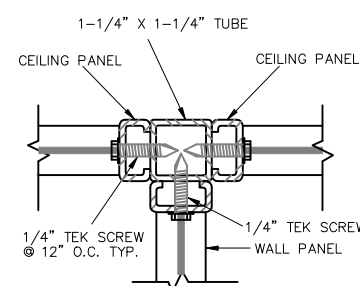
H1C TCM TEE CONNECTION (MID-PANEL)



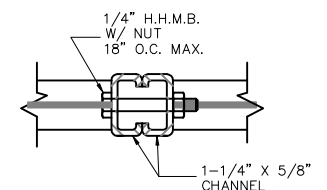
R1 LOCK JAMB



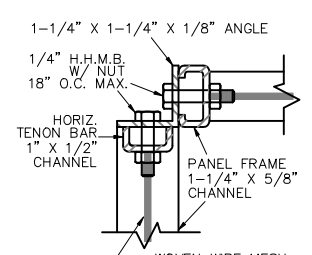
R2 HINGE JAMB



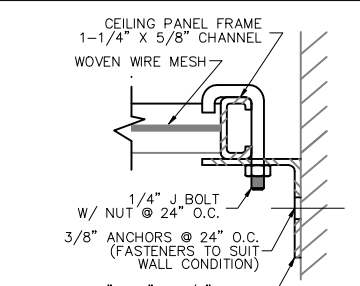
U7A CEILING CONNECTION



U6 CEILING PANEL CONNECTION



U1 CEILING ANGLE (CAP-10)



U2 WALL CONNECTION (CAW-10)

- GENERAL NOTES:**
- MESH 10 GA. 1-1/2" DIAMOND. DRAW ALL WIRES THROUGH HOLES IN PERIMETER FRAME AND CLINCH SECURELY. WELD EVERY 6TH WIRE TO FRAME MAT'L.
 - VERTICAL FRAME 12 GA. ROLL FORMED CHANNEL 1-1/4" X 5/8".
 - HORIZONTAL FRAME AND STIFFENERS 12 GA. ROLL FORMED CHANNEL 1" X 1/2".
 - GATE FRAMES 12 GA. ROLL FORMED CHANNEL 1-1/4" X 1/2". BAND ALL EDGES OF GATES WITH 1-1/4" X 1/8" STRIP EXCEPT LOCK SIDE OF SWING GATE (USE CONTINUOUS "L" ASTRAGAL).
 - STANDARD COLOR: MACHINERY GRAY.
 - CUSTOM COLORS: CONSULT FACTORY.
 - OPTIONAL FINISHES: GALVANIZE, POWDER COAT.

CALIFORNIA WIRE PRODUCTS CORP.	
1128 WEST BRADFORD CIRCLE	
CORONA, CA. 91720	
PHONE# (909)-371-7730 FAX# (909)-735-1070	
DRAWN BY	PRODUCT
LS	WOVEN
DATE	WIRE GAUGE
3-17-99	10
SCALE	MESH SIZE
NONE	1.5" X 1.5"
SERIES	PATTERN
101	DIAMOND
FILE NAME	FINISH
c:\cwp\det_101\det_101b	SPECIFY