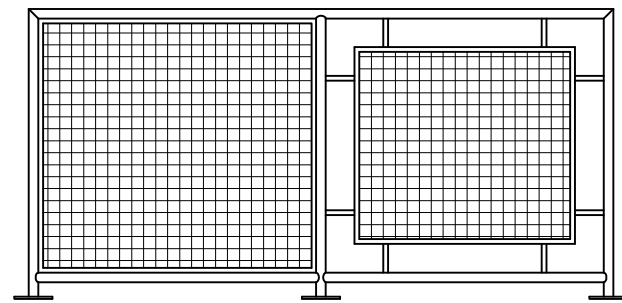
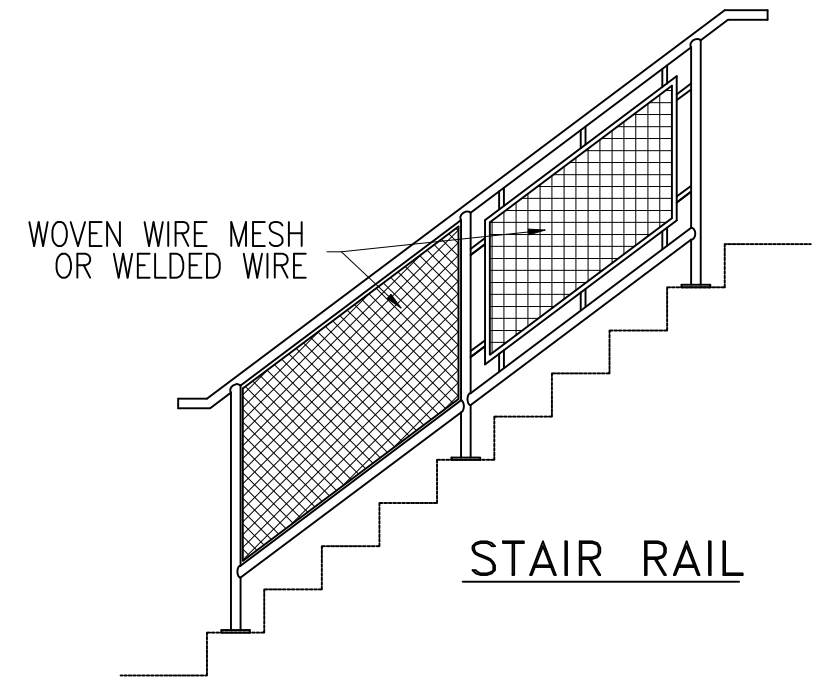


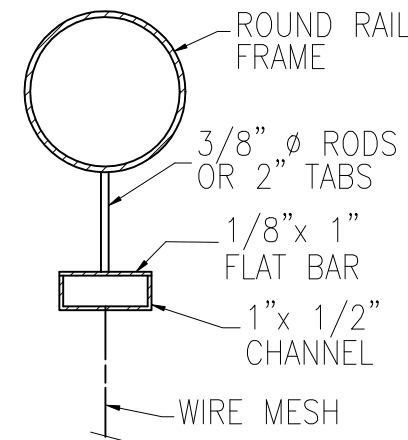
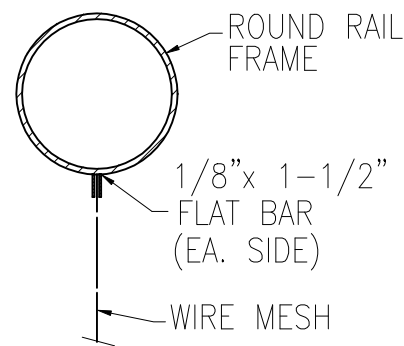
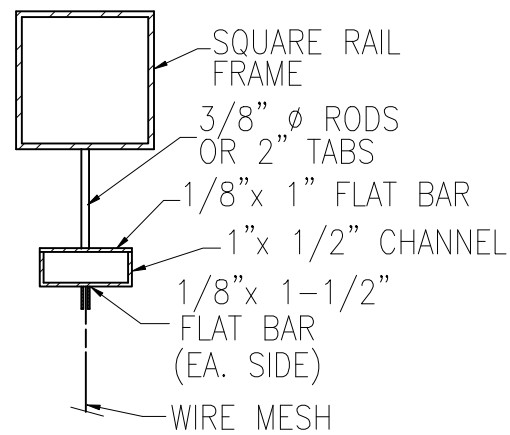
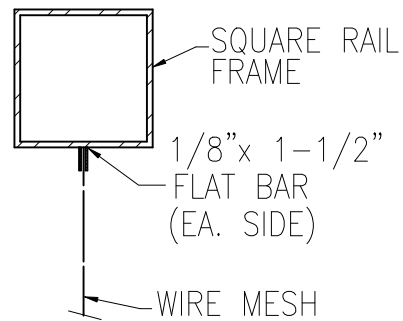
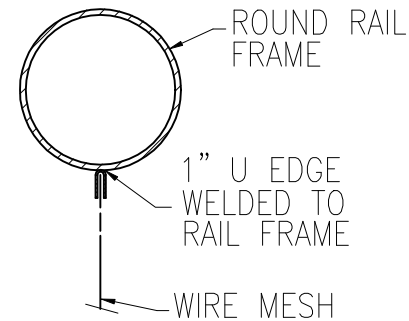
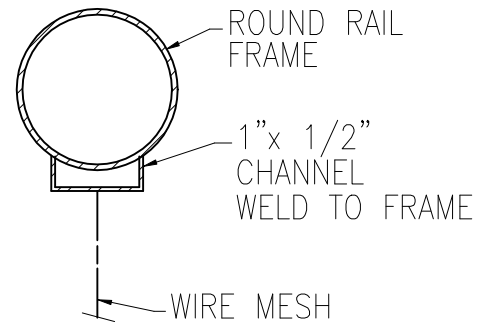
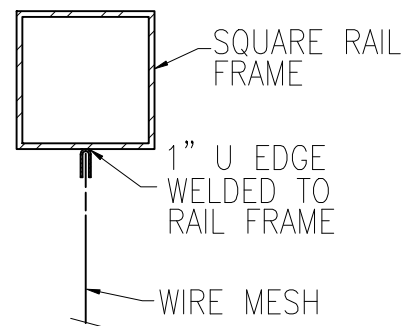
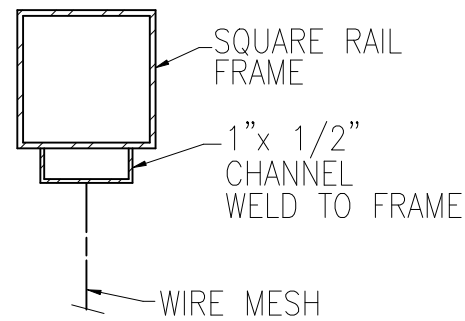
WOVEN OR WELDED WIRE



WOVEN OR WELDED WIRE



STAIR RAIL



POSSIBLE ATTACHMENT DETAILS

MATERIAL SPECIFICATIONS

WIRE: 10 GAUGE, 6 GAUGE, & 4 GAUGE.

MESH: 3" SQ./DIA, 2" SQ./DIA, 1-1/2" SQ./DIA.

FRAMING: 2"x 1"x 1/8" CHANNEL
2"x 2"x 1/8" ANGLE
1-1/2"x 1-1/2"x 1/8" ANGLE
1-1/4"x 1-1/4"x 1/8" ANGLE
1-1/2"x 3/4"x 1/8" CHANNEL
1"x 1/2"x 1/8" CHANNEL
1" U EDGE

FINISH: PLAIN STEEL OR HOT DIPPED GALVANIZED

CALIFORNIA WIRE PRODUCTS CORP.
1128 WEST BRADFORD CIRCLE
CORONA, CA. 91720
PHONE# (909)-371-7730 FAX# (909)-735-1070



BLDG.	REF. DWGS.	PHASE	DF	TITLE	PRODUCT	SERIES	DRAWN BY	REVISION	DATE
AREA		PART	DF	HANDRAIL INSERTS WOVEN OR WELDED WIRE MESH	WIRE GAUGE	FRAME	DATE		
FLOOR					MESH SIZE		SCALE		
ROOM	CUSTOMER P.O.	DATE	CUSTOMER		PATTERN		NOT TO SCALE	SHEET	OF
	APPROVED	DATE	ARCHITECT		FINISH	SPECIFY	FILE NAME	1	1
							c:\cwp\handrail\hr_lsht	JOB NO.	