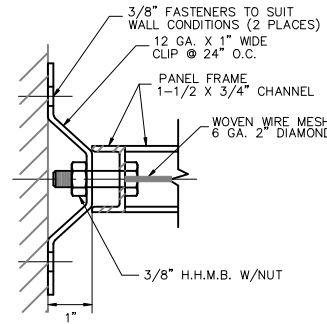
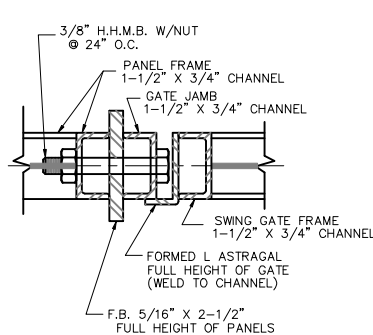


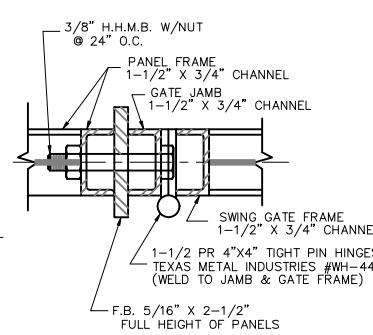
HA5 CAP BAR



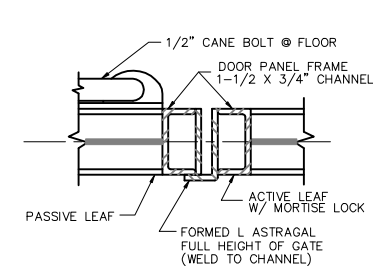
HB WALL CONNECTION



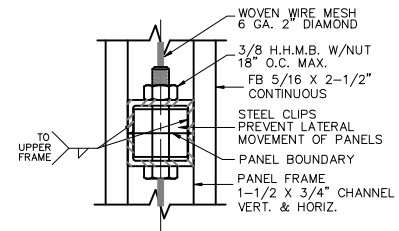
HR1 LOCK JAMB



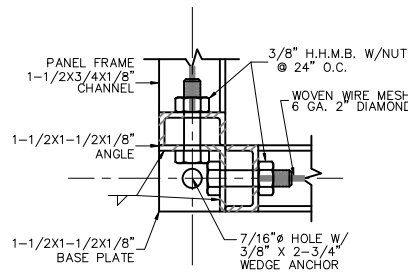
HR3 HINGE JAMB



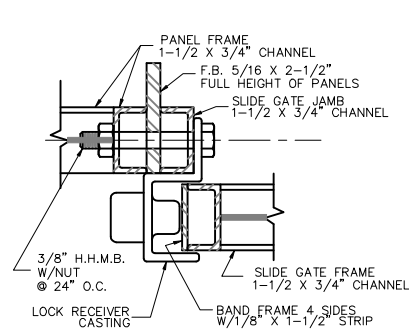
HR2 DOUBLE SWING GATE



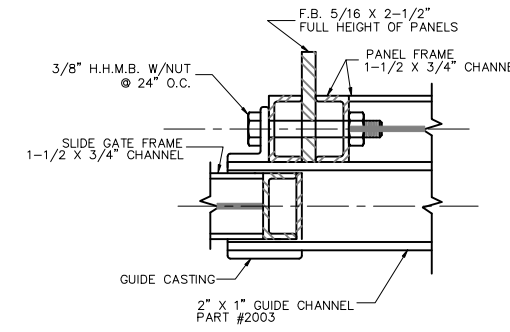
HA3 STACKED PANELS



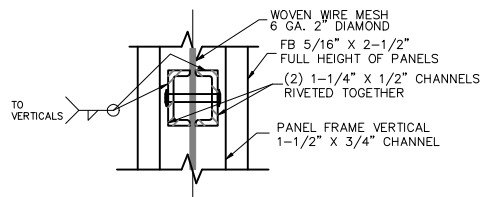
C 90° CORNER



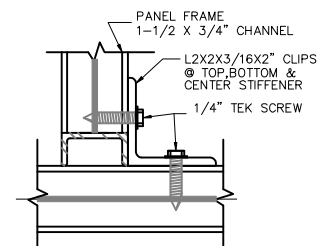
HE1 SLIDE GATE LOCK JAMB



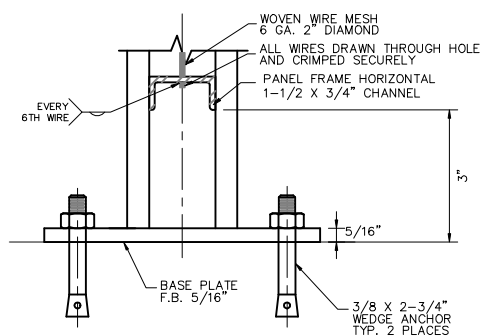
HE3 SLIDE GATE GUIDE JAMB



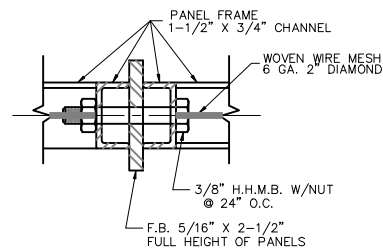
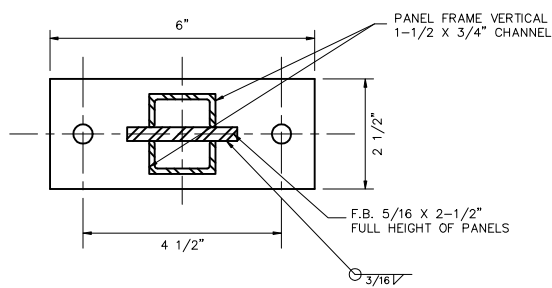
HA2 PANEL STIFFENER



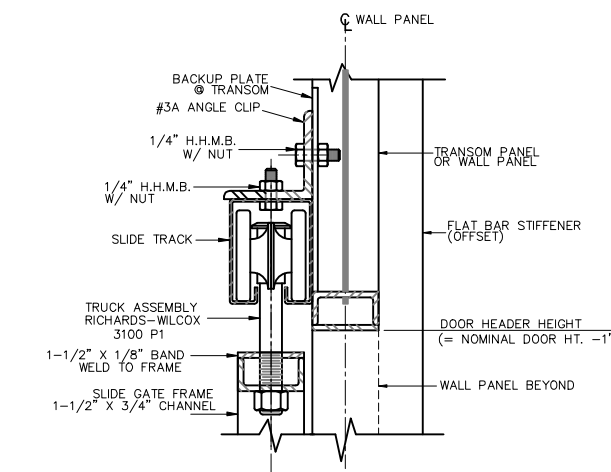
HW PANEL INTERSECTION



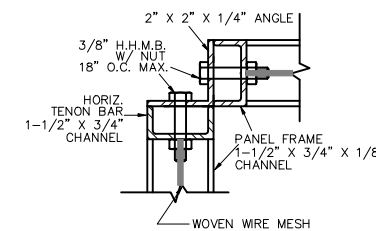
HA FLOOR CONNECTION



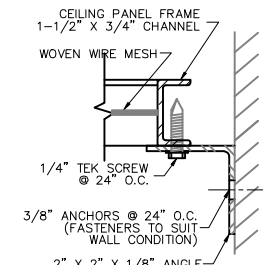
HF PANEL-PANEL CONNECTION



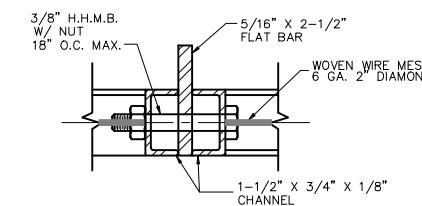
HE SLIDE GATE HEADER @ TRANSOM



HU1 CEILING ANGLE (HDCAP-10)



HU2 WALL CONNECTION (HDCAW-10)



HU6 CEILING PANEL CONNECTION

# STANDARD 333 DETAILS

BLDG.	REF. DWGS.	PHASE	DP	TITLE
AREA		PART	DP	
FLOOR	APPROVALS			
ROOM	CUSTOMER			
	ARCHITECT			

PRODUCT TYPE	WOVEN	SERIES	333
WIRE GAUGE	6	FRAME	1-1/2" X 3/4" X 1/8" CHANNEL
MESH SIZE	2" X 2"	FINISH	GRAY
PATTERN	DIAMOND		

BRAVN BY	DATE	ITEMS
DATE	DATE	
SCALE	DATE	
FILE NAME	SP	DP
C:\CWP\DET_333\333STAND	D1	JOB NO.

**CALIFORNIA WIRE PRODUCTS CORP.**  
 1128 WEST BRADFORD CIRCLE  
 CORONA, CA. 91720  
 PHONE# (909) 371-7730 FAX# (909) 735-1070

